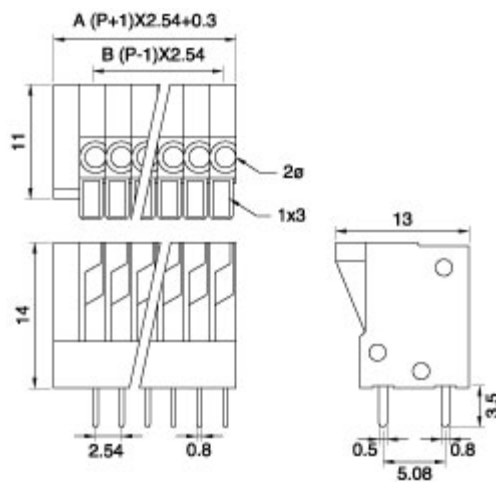


TB-53 Series Pitch 2.54mm

Specifications

- Body Material: Thermoplastic (UL 94V-0)
- Terminals: Tin plated brass
- Lever: Thermoplastic (UL 94V-0), Orange
- Wire Range AWG: 20 STR
- Rating: 5 Amperes, 75 VAC
- Insulation withstands voltage AC 1500V/MIN
- Insulation resistance 500MΩ or more at DC 500V
- Minimum 2 poles with end wall

TB-531



TB-532

