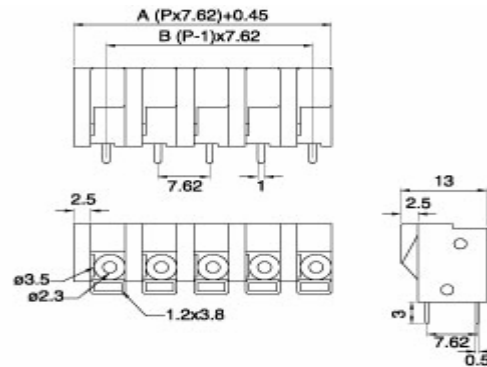
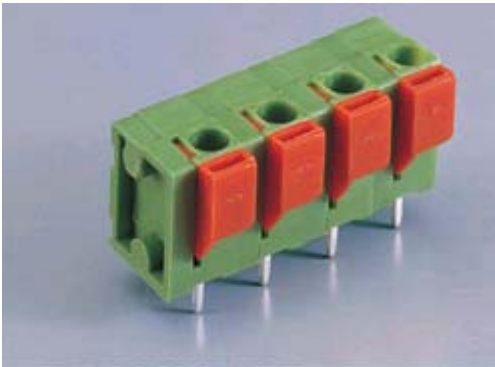


## TB-51 Series Pitch 7.62mm

### Specifications

- Body Material: Thermoplastic (UL 94V-0), Green
- Terminals: Tin plated brass
- Lever: Thermoplastic (UL 94V-0), Orange
- Wire Range AWG: 14-18 STR
- Rating: 10 amperes, 300 VAC
- Insulation withstands voltage AC 2000V/MIN
- Insulation resistance 500MΩ or more at DC 500V
- Minimum 2 poles with end wall

### TB-511-A



### TB-512-A

