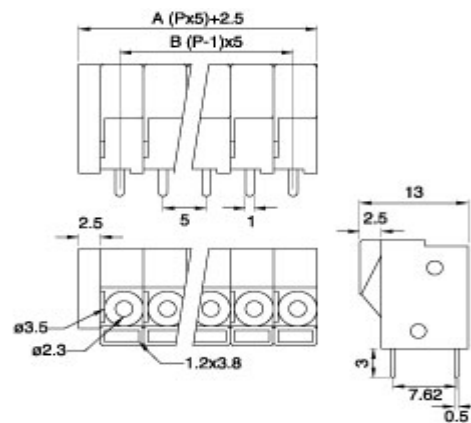


TB-51 Series Pitch 5mm

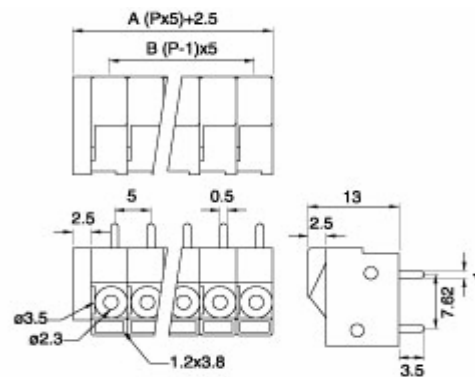
Specifications

- Body Material: Thermoplastic (UL 94V-0), Green
- Terminals: Tin plated brass
- Lever: Thermoplastic (UL 94V-0), Orange
- Wire Range AWG: 14-18 STR
- Rating: 10 amperes, 300 VAC
- Insulation withstands voltage AC 2000V/MIN
- Insulation resistance 500MΩ or more at DC 500V
- Minimum 2 poles with end wall

TB-511



TB-512



TB-513

