

TB-30 Series Pitch 11mm

Specifications

- Barrier Material: Thermoplastic (UL 94V-0), Black
- Terminals: Tin plated brass (Standard)
- Screws: Nickel plated steel
- Wire Range AWG: 12-22 STR
- Rating: 25 amperes, 300 VAC
- Insulation withstands voltage AC 2000V/MIN
- Insulation resistance 500MΩ or more at DC 500V

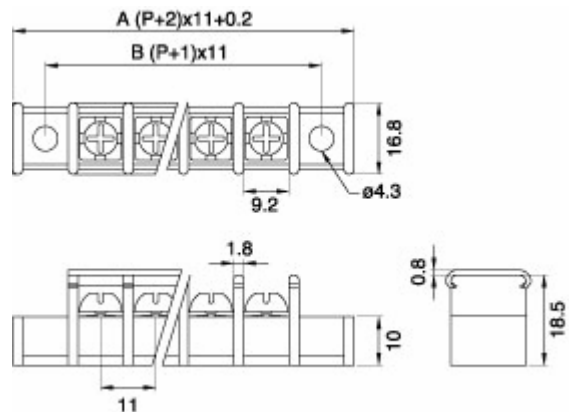
How to Order (Ex. TB-301-8PH-CS)

TB-30	<input type="checkbox"/> -	<input type="checkbox"/>	P	<input type="checkbox"/> -	<input type="checkbox"/>	<input type="checkbox"/>
	Part Number	2-32: Pole Size		H: With Mounting Holes (If Necessary) (Necessary for 300, 302, 303)	C: With Cover	S: Plate

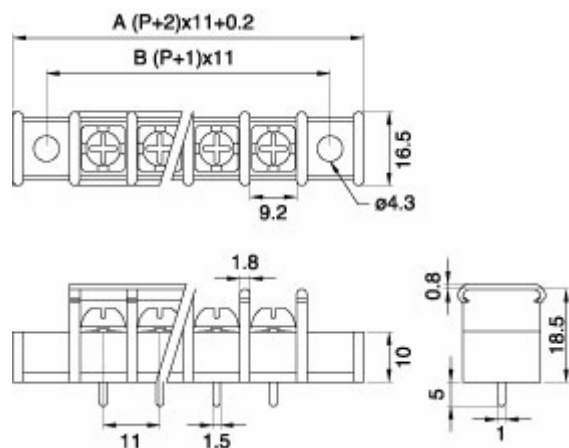
Dimension: ±0.8m/m

POLE	TB-30- <input type="checkbox"/> P	TB-30- <input type="checkbox"/> PH
A	$(P \times 11) + 2.3$	$(P + 2) \times 11 + 0.2$
B	$(P - 1) \times 11$	$(P + 1) \times 11$

TB-300

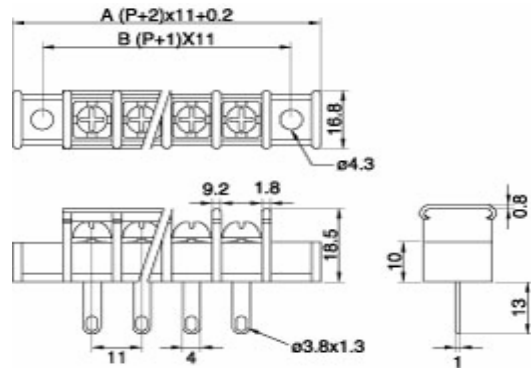


TB-301

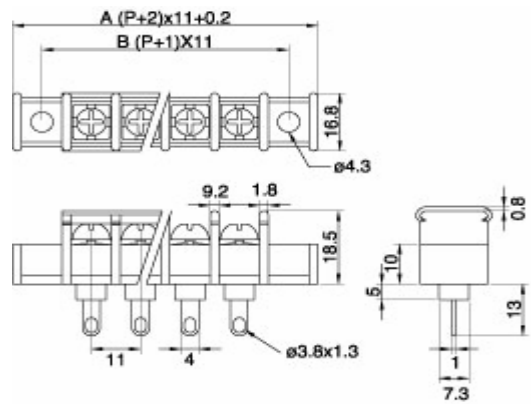


TB-30 Series Pitch 11mm

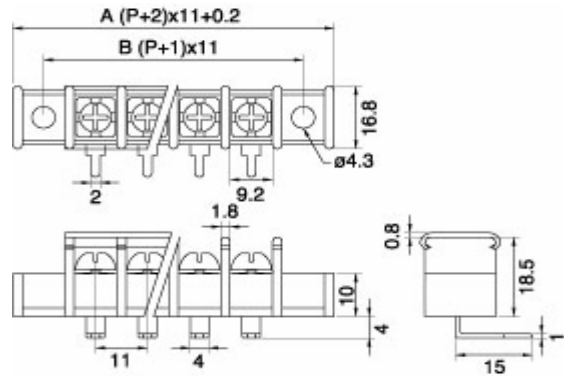
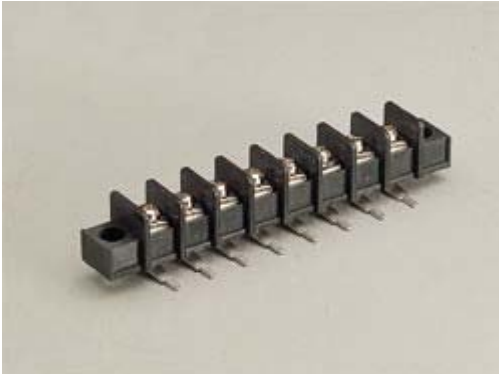
TB-302



TB-303



TB-304



TB-305

