

## TB-15 Series Pitch 13mm

### Specifications

- Barrier Material: Thermoplastic (UL 94V-0), Black
- Terminals: Tin plated brass (Standard)
- Screws: Nickel plated steel
- Wire Range AWG: 10-18 STR
- Rating: 30 amperes, 600 VAC
- Cover Material: PC
- Insulation withstands voltage AC 2000V/MIN
- Insulation resistance 1000MΩ or more at DC 500V

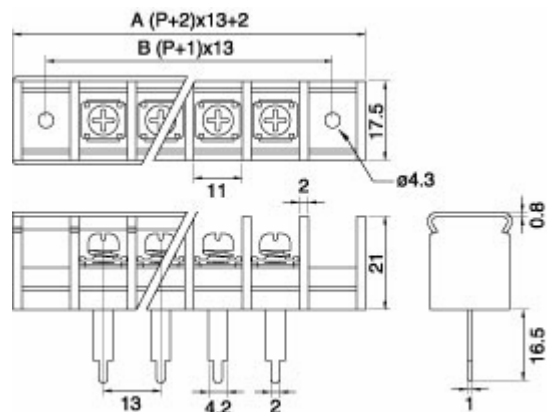
### How to Order (Ex. TB-151-8PH-CS)

TB-15	<input type="checkbox"/> -	<input type="checkbox"/>	P	<input type="checkbox"/> -	<input type="checkbox"/>	<input type="checkbox"/>
<b>Part Number</b>	<b>2-26: Pole Size</b>	<b>H: With Mounting Holes (If Necessary) (Necessary for 153)</b>	<b>C: With Cover</b>	<b>S: Plate</b>		

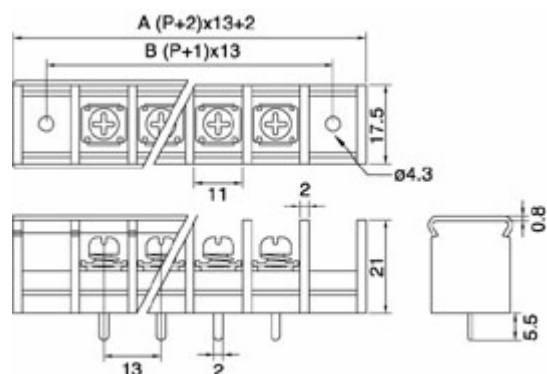
### Dimension: ±0.8m/m

POLE	TB-15- <input type="checkbox"/> P	TB-15- <input type="checkbox"/> PH
A	(P×13)+2	(P+2)×13+2
B	(P-1)×13	(P+1)×13

### TB-151

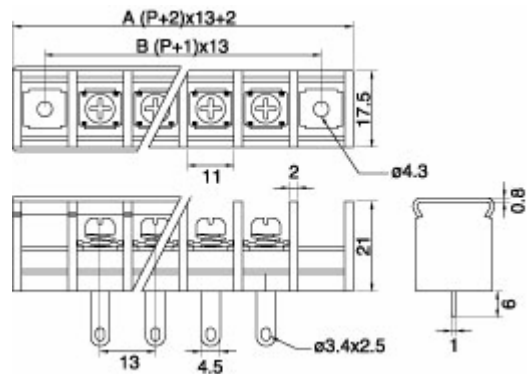


### TB-152

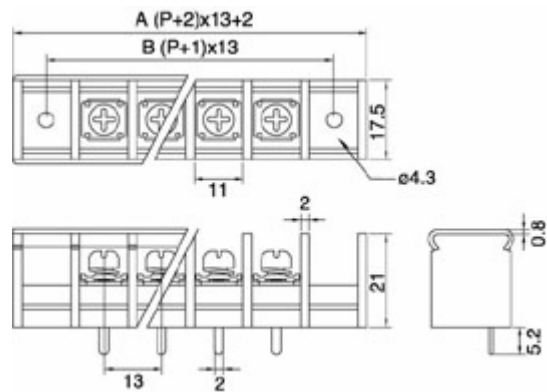


## TB-15 Series Pitch 13mm

**TB-153**



**TB-154**



**TB-155**

