

## TB-14 Series Pitch 11mm

### Specifications

- Barrier Material: Thermoplastic (UL 94V-0), Black
- Terminals: Tin plated brass (Standard)
- Screws: Nickel plated steel
- Wire Range AWG: 10-18 STR
- Rating: 35 amperes, 300 VAC
- Cover Material: PC
- Insulation withstands voltage AC 2000V/MIN
- Insulation resistance 1000MΩ or more at DC 500V

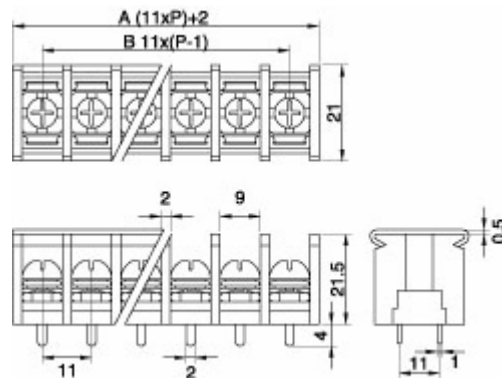
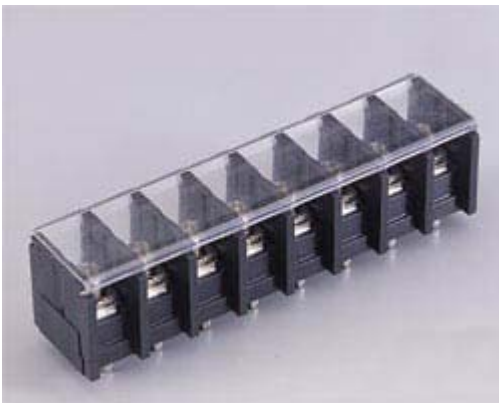
### How to Order (Ex. TB-141-8PH-CS)

|                    |                            |                          |   |  |                          |                          |
|--------------------|----------------------------|--------------------------|---|--|--------------------------|--------------------------|
| TB-14              | <input type="checkbox"/> - | <input type="checkbox"/> | P | <input type="checkbox"/> -                                       | <input type="checkbox"/> | <input type="checkbox"/> |
| <b>Part Number</b> | <b>2-25: Pole Size</b>     |                          |   | <b>H: With Mounting Holes (If Necessary) (Necessary for 145)</b> | <b>C: With Cover</b>     | <b>S: Plate</b>          |

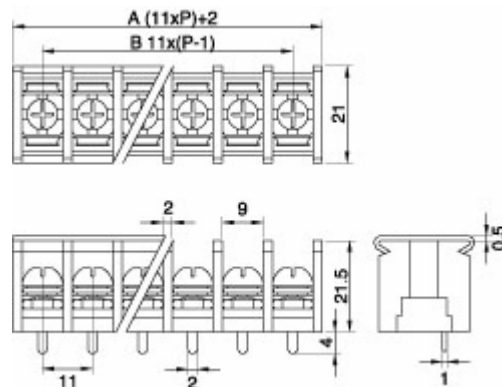
### Dimension: ±0.8m/m

|      |                                   |                                    |
|------|-----------------------------------|------------------------------------|
| POLE | TB-14- <input type="checkbox"/> P | TB-14- <input type="checkbox"/> PH |
| A    | (P×11)+2                          | (P+2)×11+2                         |
| B    | (P-1)×11                          | (P+1)×11                           |

### TB-141

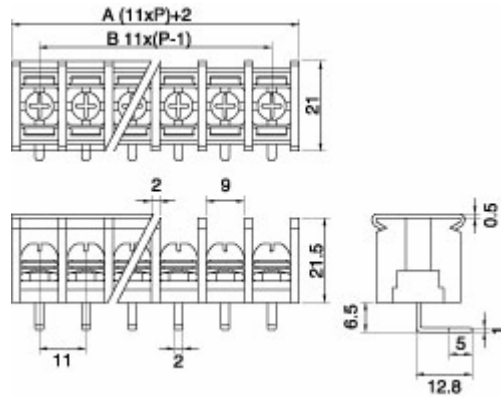
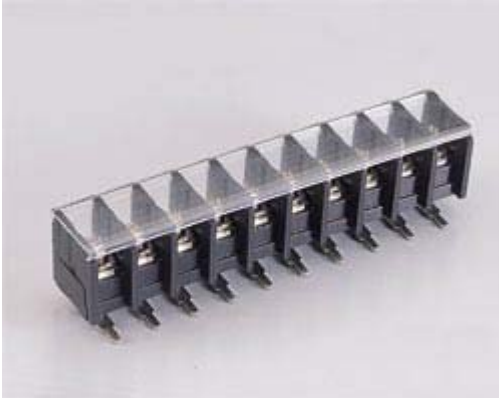


### TB-142

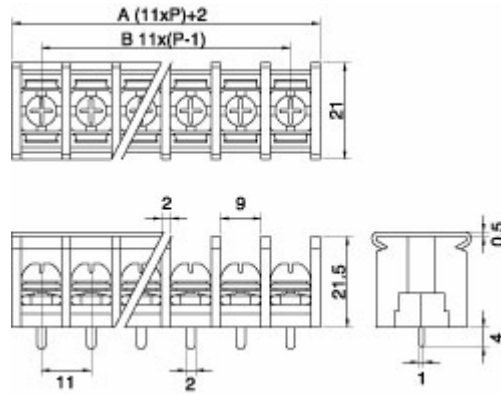


## TB-14 Series Pitch 11mm

**TB-143**



**TB-144**



**TB-145**

