

## TB-13 Series Pitch 10mm

### Specifications

- Barrier Material: Thermoplastic (UL 94V-0), Black
- Terminals: Tin plated brass (Standard)
- Screws: Nickel plated steel
- Wire Range AWG: 12-22 STR
- Rating: 22 amperes, 300 VAC
- Cover Material: PC
- Insulation withstands voltage AC 1000V/MIN
- Insulation resistance 1000MΩ or more at DC 500V

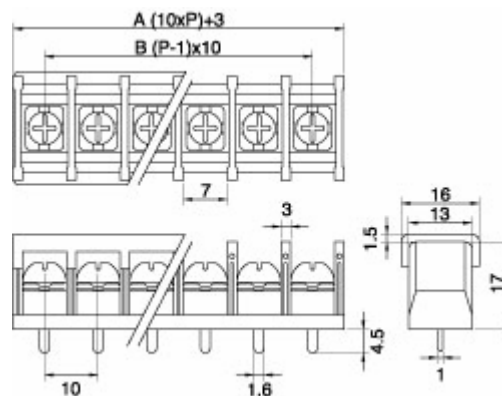
### How to Order (Ex. TB-131-8PH-CS)

TB-13	<input type="checkbox"/> -	<input type="checkbox"/>	P	<input type="checkbox"/> -	<input type="checkbox"/>	<input type="checkbox"/>
<b>Part Number</b>	<b>2-27: Pole Size</b>		<b>H: With Mounting Holes (If Necessary) (Necessary for 133)</b>	<b>C: With Cover</b>	<b>S: Plate</b>	

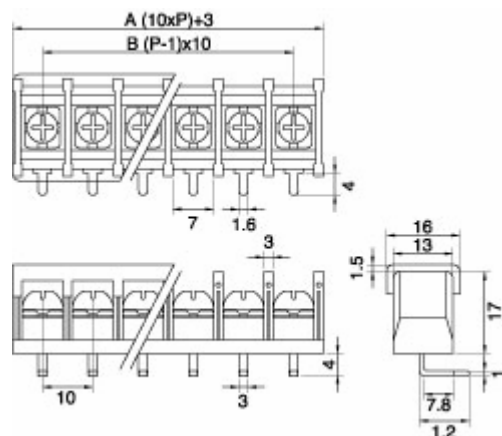
### Dimension: ±0.8m/m

POLE	TB-13- <input type="checkbox"/> P	TB-13- <input type="checkbox"/> PH
A	(P×10)+3	(P+2)×10+3
B	(P-1)×10	(P+1)×10

### TB-131



### TB-132



## TB-13 Series Pitch 10mm

### TB-133

