

## TB-12 Series Pitch 9.5mm

### Specifications

- Barrier Material: Thermoplastic (UL 94V-0), Black
- Terminals: Tin plated brass (Standard)
- Screws: Nickel plated steel
- Wire Range AWG: 12-22 STR
- Rating: 25 amperes, 300 VAC
- Insulation withstands voltage AC 2000V/MIN
- Insulation resistance 500MΩ or more at DC 500V

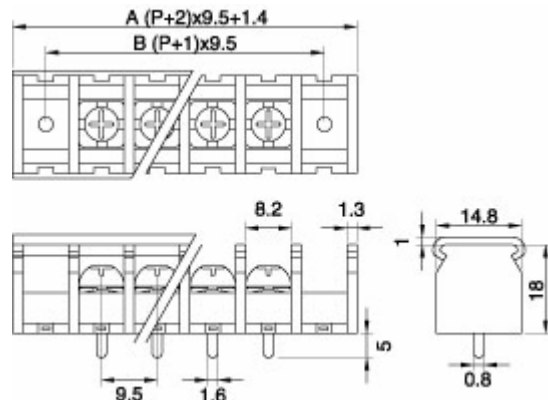
### How to Order (Ex. TB-121-8PH-CS)

TB-12	<input type="checkbox"/> -	<input type="checkbox"/>	P	<input type="checkbox"/> -	<input type="checkbox"/>	<input type="checkbox"/>
	<b>Part Number</b>	<b>2-27: Pole Size</b>		<b>H: With Mounting Holes (If Necessary) (Necessary for 123)</b>	<b>C: With Cover</b>	<b>S: Plate</b>

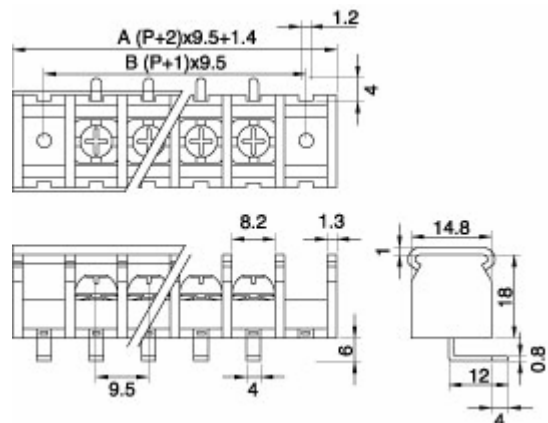
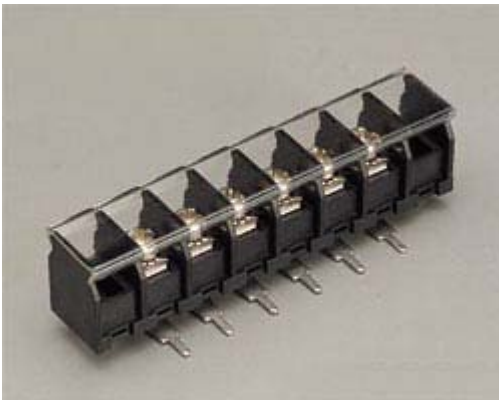
### Dimension: ±0.8m/m

POLE	TB-12- <input type="checkbox"/> P	TB-12- <input type="checkbox"/> PH
A	$(P \times 9.5) + 1.4$	$(P+2) \times 9.5 + 1.4$
B	$(P-1) \times 9.5$	$(P+1) \times 9.5$

### TB-121



### TB-122



## TB-12 Series Pitch 9.5mm

### TB-123

