

TB-10 Series Pitch 10mm

Specifications

- Barrier Material: Thermoplastic (UL 94V-0), Black
- Terminals: Tin plated brass (Standard)
- Screws: Nickel plated steel
- Wire Range AWG: 14-18 STR
- Rating: 15 amperes, 300 VAC
- Insulation withstands voltage AC 2000V/MIN
- Insulation resistance 500MΩ or more at DC 500V

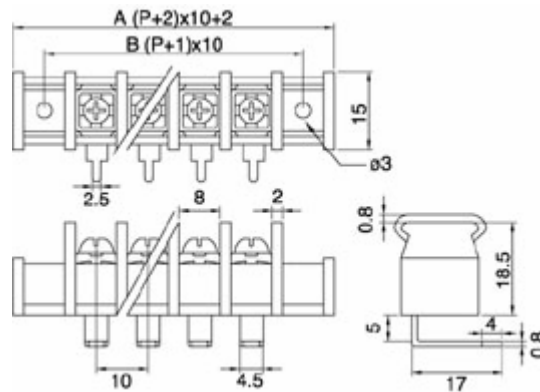
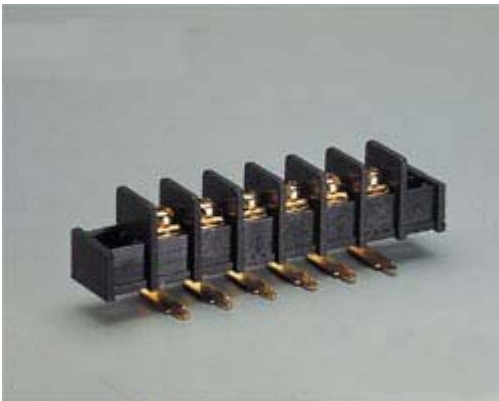
How to Order (Ex. TB-101-8PH-CS)

TB-10	<input type="checkbox"/> -	<input type="checkbox"/>	P	<input type="checkbox"/> -	<input type="checkbox"/>	<input type="checkbox"/>
	Part Number	2-32: Pole Size		H: With Mounting Holes (If Necessary) (Necessary for 108)	C: With Cover	S: Plate

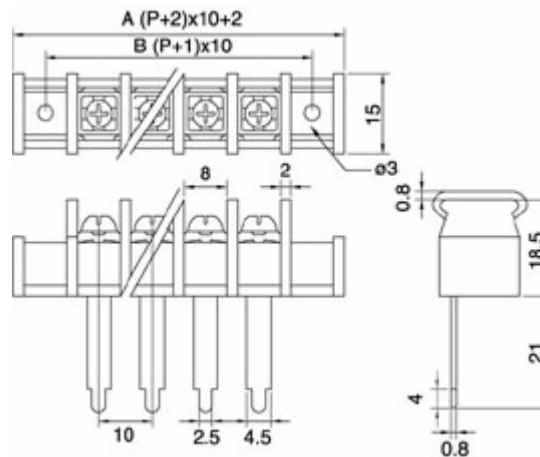
Dimension: ±0.8m/m

POLE	TB-10- <input type="checkbox"/> P	TB-10- <input type="checkbox"/> PH
A	(P×10)+2	(P+2)×10+2
B	(P-1)×10	(P+1)×10

TB-101

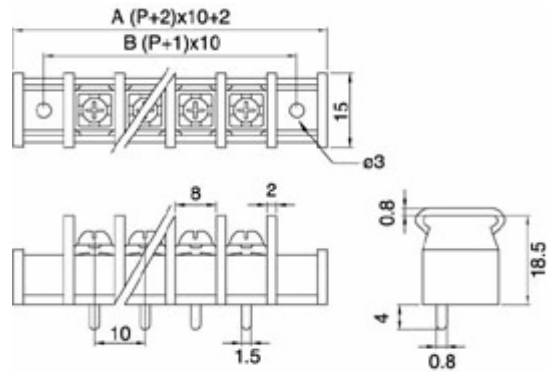


TB-102

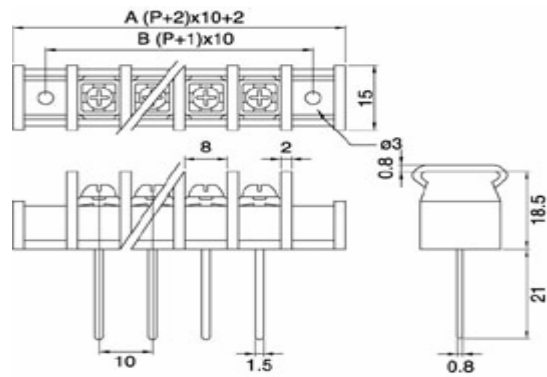
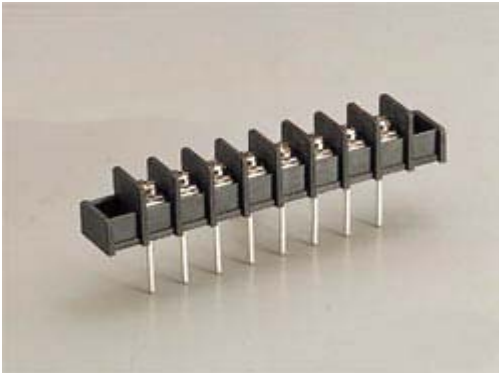


TB-10 Series Pitch 10mm

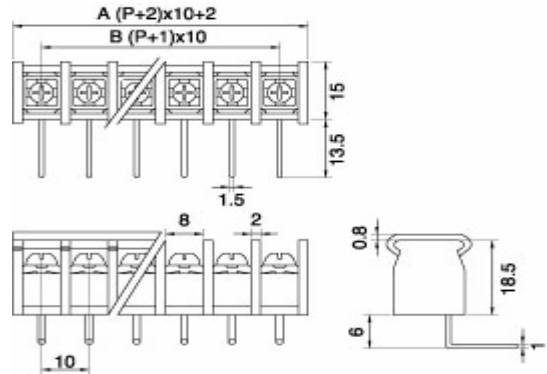
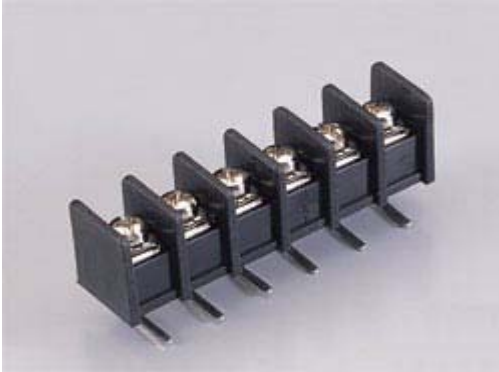
TB-103



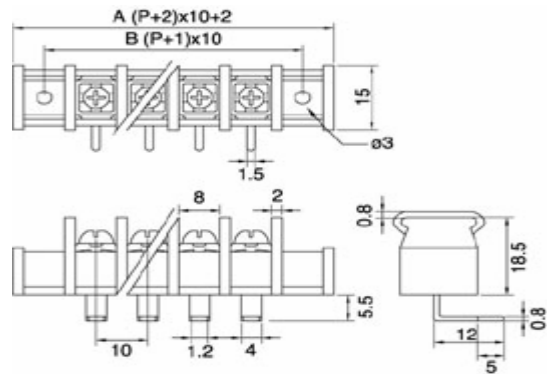
TB-104



TB-104A

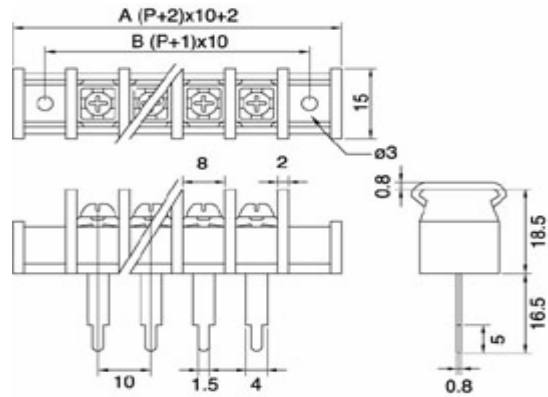
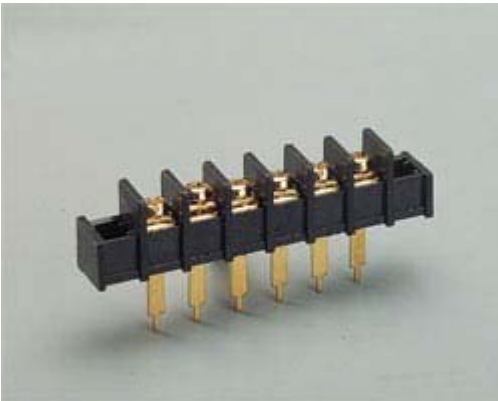


TB-105

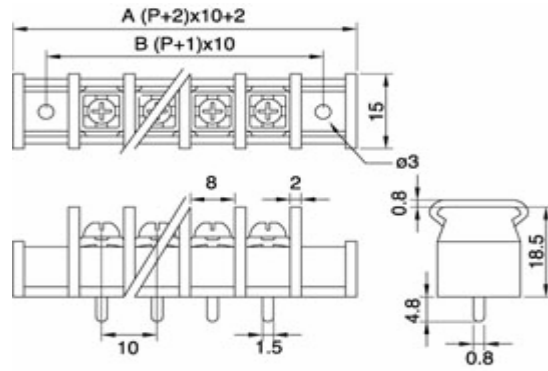


TB-10 Series Pitch 10mm

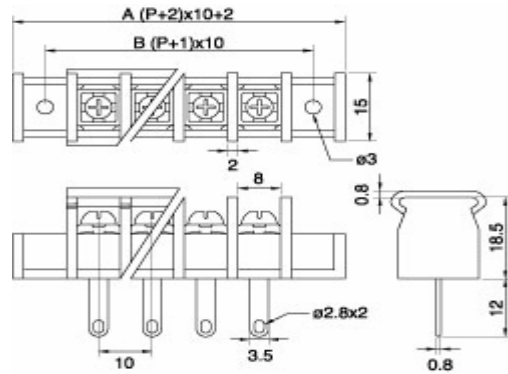
TB-106



TB-107



TB-108



TB-109

