

**MPL-001 MINI DIAGONAL NOSE PLIERS**



**MPL-007 MINI LONG NOSE PLIERS**



**MPL-002 PLASTIC CUTTING PLIERS**



**MPL-008 MINI COMBINATION PLIERS**



**MPL-003 PLASTIC CUTTING PLIERS**



**MPL-009 COMBINATION PLIERS**



**MPL-004 LONG NOSE PLIERS**



**MPL-010 MINI 45° BGNT NOSE PLIERS**



**MPL-005 LONG NOSE PLIERS**



**MPL-011 MINI END CUTTING PLIERS**



**MPL-006 LINEMAN'S LONG NOSE PLIERS**



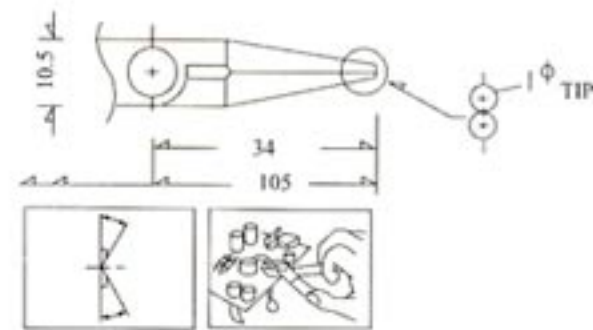
**MPL-012 DIAGONAL CUTTING PLIERS**



### MPL-1601

#### 4" ROUND NOSE PLIER

- For bending small items and operating in small precision equipment.
- N.W.:6kgs G.W.:8kgs
- CUFT:1.0'



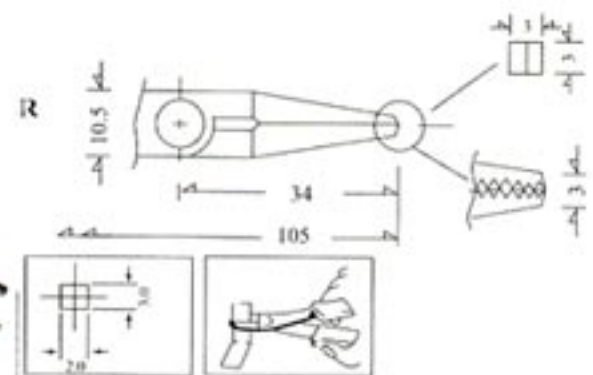
### MPL-1602/1602T

#### 4" FLAT LONG NOSE PLIER

MPL-1602T

#### (WITH SERRATED JAWS)

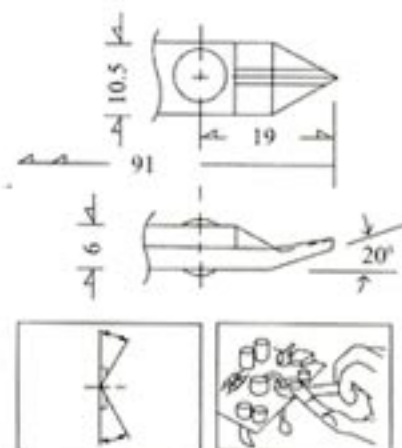
- For fine product assembly
- N.W.:6kgs G.W.:8kgs
- CUFT:1.0'



### MPL-1603

#### 3 1/2" SIDE CUTTER PLIER

- Suitable for copper wire below dia 1.2mm.
- Do not use to cut steel wire.
- N.W.:6kgs G.W.:8kgs
- CUFT:1.0'



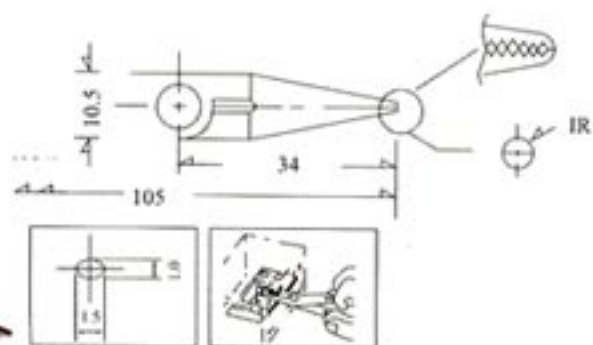
### MPL-1604/1604T

#### 4" HALF-ROUND NOSE PLIER

MPL-1604T

#### (WITH SERRATED JAWS)

- For easy operation in deep and narrow working space.
- For adjusting and operating on electronic appliances.
- N.W.:6kgs G.W.:8kgs
- CUFT:1.0'



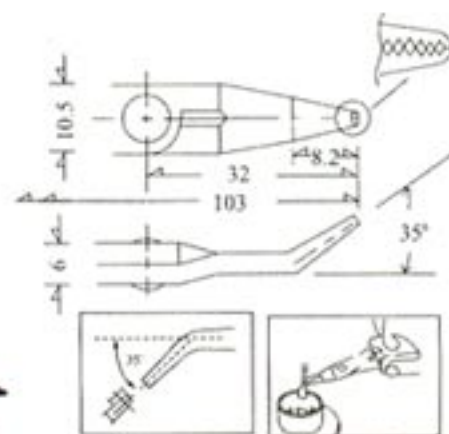
### MPL-1605/1605T

#### 4" BENT NOSE WITH HALF-ROUND TIPS PLIER

MPL-1605T

#### (WITH SERRATED JAWS)

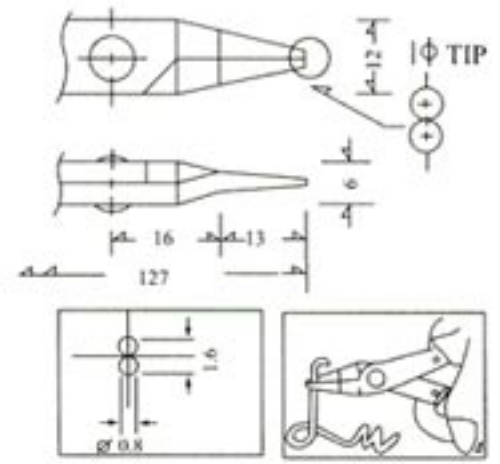
- Bent nose with 35° slant for easy operation in confined working space
- N.W.:6kgs G.W.:8kgs
- CUFT:1.0'



## MPL-1701

### 4 1/2" LONG NOSE PLIER

- For bending fine items and operating in small precision equipment.
- N.W.:6kgs G.W.:8kgs CUFT:1.0'



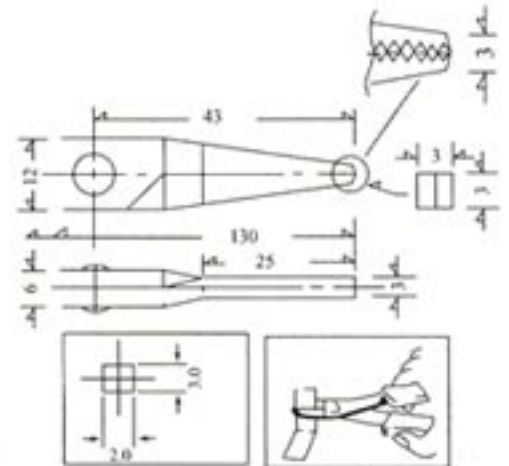
## MPL-1702/1702T

### 5" FLAT LONG NOSE PLITY

MPL-1702T

#### (WITH SERRATED JAWS)

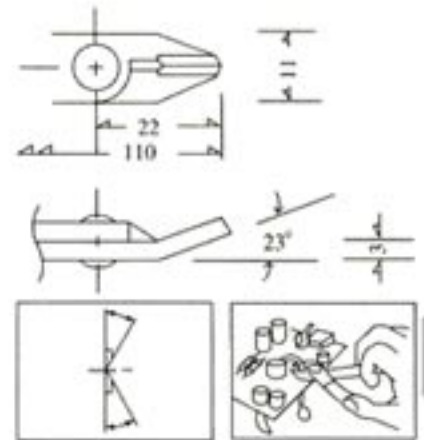
- For fine items assembly.
- For bending contact and really springs, to adjusting the pins of IC.
- N.W.:6kgs G.W.:8kgs CUFT:1.0'



## MPL-1703

### 4 1/2" SIDE CUTTER PLIER

- Suitable for copper wire below dia.1.2mm.
- Do not use to cut steel wire.
- N.W.:6kgs G.W.:8kgs CUFT:1.0'



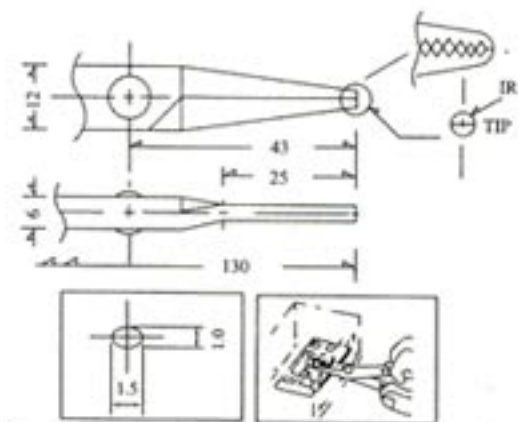
## MPL-1704/1704T

### 4" HALF-ROUND NOSE PLIER

MPL-1704T

#### (WITH SERRATED JAWS)

- For easy operation in deep and narrow working space.
- For adjusting and operating on componets and electronic appliances.
- N.W.:6kgs G.W.:8kgs CUFT:1.0'



## MPL-1705/1705T

### 4" BENT NOSE WITH HALF-ROUND TIPS PLITY

MPL-1705T

#### (WITH SERRATED JAWS)

- Bent nose with 40° slant for easy operation in confinec working space
- Offset jaws for adjusting components in confined spaces.
- N.W.:6kgs G.W.:8kgs CUFT:1.0'

