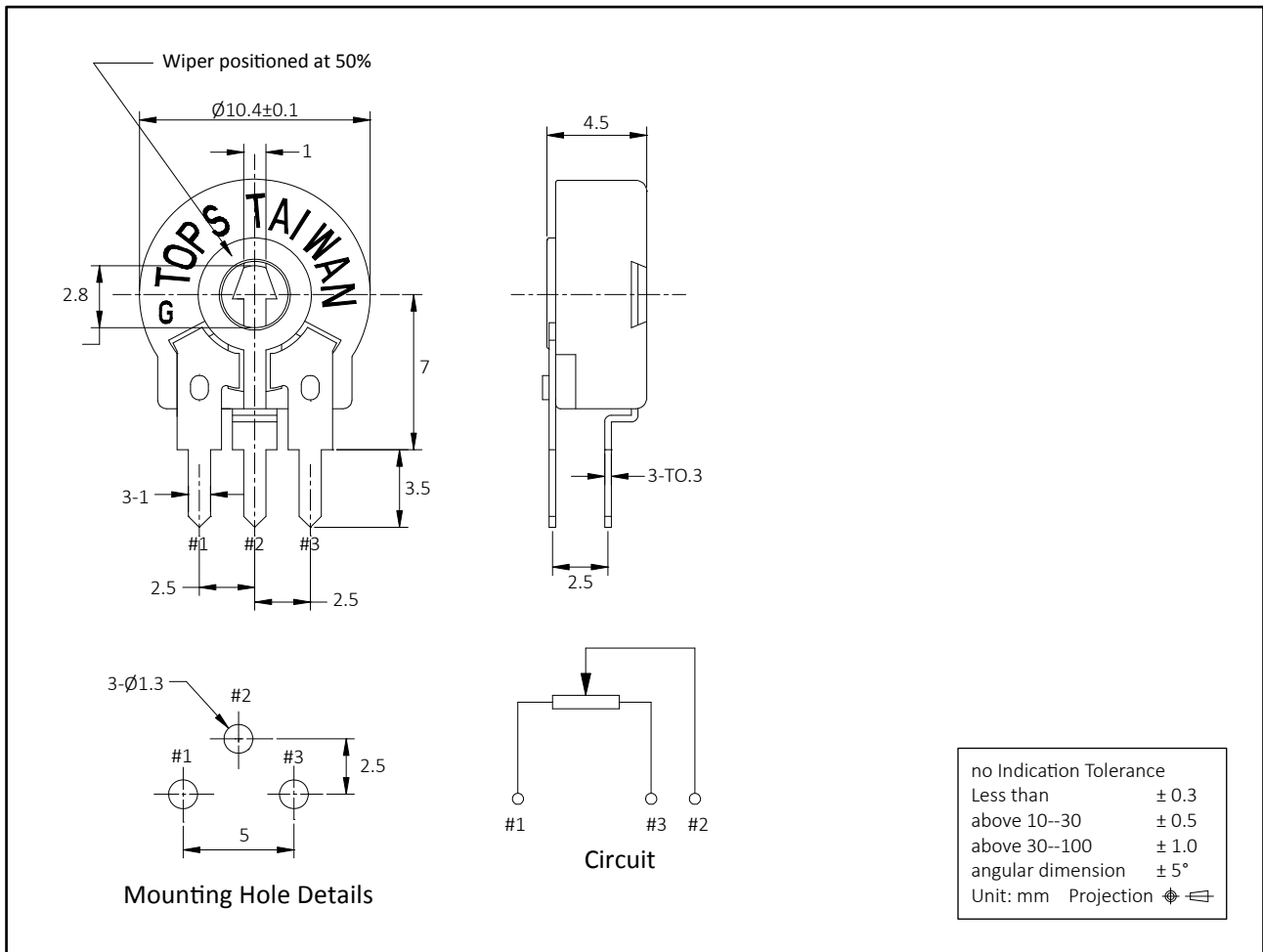
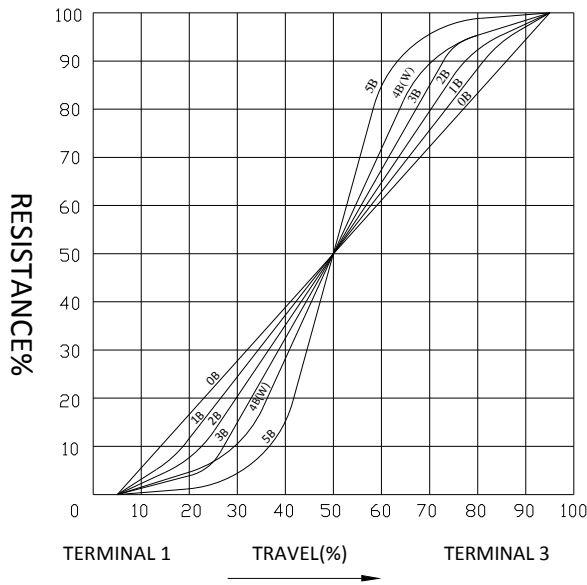


MPO-RH504003 Rotary Potentiometer. Horizontal Adj., 500K Ohms, D=10mm, 3 Pins, 5*2.5mm, Carbon

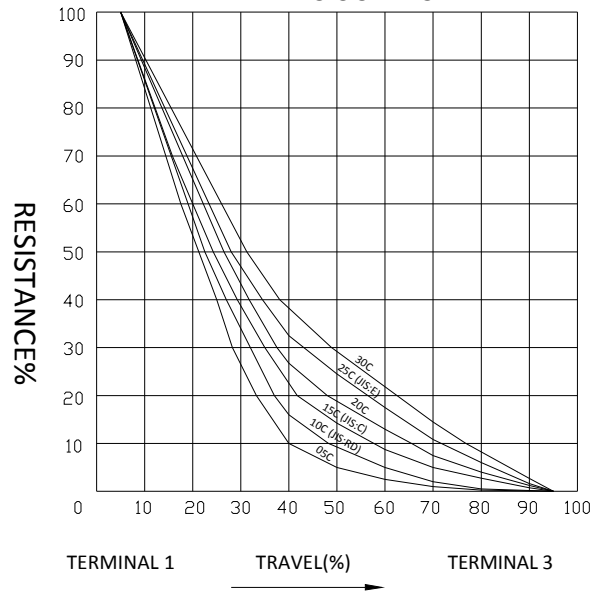


10Ø Series	
TOTAL RESISTANCE	100Ω - 5MΩ
TOTAL RESISTANCE TOLERANCE	±10% ±20% ±30%
RESISANCE TAPER	A.B.C
MAX. OPERATION VOLTAGE	LINEAR TAPER AC 200V
RATED POWER	LINEAR TAPER 0.15W / OTHER TAPERG 0.1W
INSRLATION RESISANCE	MORE THAN 100MΩ AT DC 500V
WITHSTAND VOLTAGE	1 MINUTE AT AC 500V
RESIDRAL RESISTANCE	TERM. 1~2: LESS THAN < 1% or 10Ω / TERM. 1~3: LESS THAN < 1% or 10Ω
TOTAL ROTATIONAL ANGLE	220° ±20°
ROTATIONAL TORQUE	40gf.cm ~ 250gf.cm
ROTATIONAL STOPPER STRENGTH	0.5kgf.cm MAX.
PUSH-PULL STRENGTH	0.5kgf MAX
ROTATIONAL LIFE	500 CYCLES
OPERATION LIFE	1,000 CYCLES RESISTANCE VALUE±20%

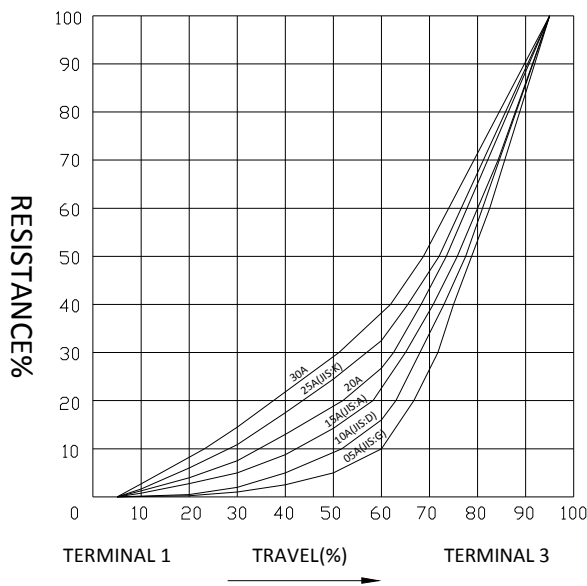
TAPERS B SERIES



TAPERS C SERIES



TAPERS A SERIES



10mm Electrical characteristics

Total resistance	B taper 100Ω ~ 5MΩ (Lin)
Total resistance tolerance	±20% 500Ω or ≥ 500KΩ ±30%
Rated power	0.15W/40 °C 0W/70°C
Temperature range	-25 ~ 70°C
Max. Operating Voltage	200V A C E: $\sqrt{P \cdot R}$ E: Operating voltage P: Rated power R: Total resistance
Residual Resistance	Term 1 ~ 2 : Less than 10Ω or < 1% Term 2 ~ 3 : Less than 10Ω or < 1%
Rotational noise	150mv max.
Resistance temperature coefficient	850ppm/°C

Mechanical Characteristics

ITEM	TEST CONDITION	SPECIFICATIONS
Insulation resistance	Test voltage: DC 500V Test position: Between terminals and the shaft for 1minute ± 5 seconds	100MΩ min
Withstand voltage	Test voltage: AC 500V (50~60Hz2mA) measured for 1minute Test position: Between terminals and the shaft 1 minute ± 5 seconds	No dielectric breakdown
Operating torque	-25~70°C	40~250gf.cm
Shaft stopper strength	0.5kgf.cm(5N.m) The shaft shall be rotated to one end or the other end with pull torque 0.5kgf.cm(5N.m) for 15 seconds	Without deformation or breads in the operating part and contact part
Strength of terminals	When 300gf(5N) are weighted on top of terminal in every direction for minute	Loose stale of terminal and damage on stator board should not exist
Solder ability	Soldering temperature: 240±5°C Dipping time: 3±0.5 seconds	More than 75% of the dip ping part shall be covered by solder excluding the cutting surface
耐焊接	260°C 3±1 seconds	Loose stale of terminal and damage on stator board should not exist

Weather Performance

ITEM	TEST CONDITION	SPECIFICATIONS
Humidity Test	Testing switch being kept in the conditions at $40\pm 2^{\circ}\text{C}$ and 90~95% RH for 500 hours in a normal ambient condition for 1 hour. Then to be measured within 1 hour	Insulation resistance: more than $10\text{M}\Omega$ for 500VDC Withstand voltage: 500Vac for 1 minute Operating torque: within $\pm 30\%$ of initial value Every parts should not defected in appearance and mechanical performance. Resistance $< \pm 10\%$
Heat Test	Testing switch being kept in the conditions at $70\pm 2^{\circ}\text{C}$ in temperature for 500 hours in a normal ambient condition for an hour. The to be measured within hour.	

Durability

Life Test (Without Load) performance. Resistance $< \pm 20\%$	500cycles of operation shall be performed continuously at the rate of 6~10 cycles/minute without load.	Insulation resistance: more than $10\text{M}\Omega$ for 500VDC. Withstand voltage: 500VAC for 1 minute Operating torque: within $\pm 30\%$ of initial value Eery parts should not defected in appearance and mechanical performance
--	--	---